

R4 Rotary Latch

Mini · Concealed · Single and two stage

- Single or multi-point latch capability
- Compatible with wide array of actuators
- EN 45545-3 E60 Compliant (Standard version only)
- Integrated bumper version for anti-vibration feature

Material and Finish

Steel, zinc plated or 304 stainless steel, passivated

Performance Details

Average ultimate load: 3600 N (800 lbf)

Installation Notes

See page 259

Accessories

Striker bolts for standard version and integrated bumper version are different. See page 259 for both versions.

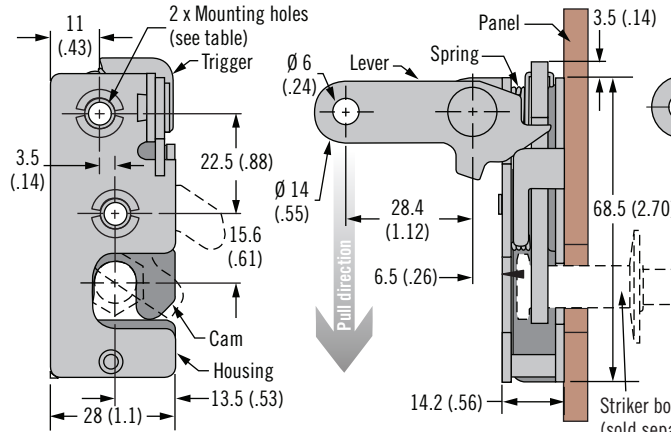
Cables and retainer clips see pages 272-275

Notes

Electromechanical rotary latch available see page 23

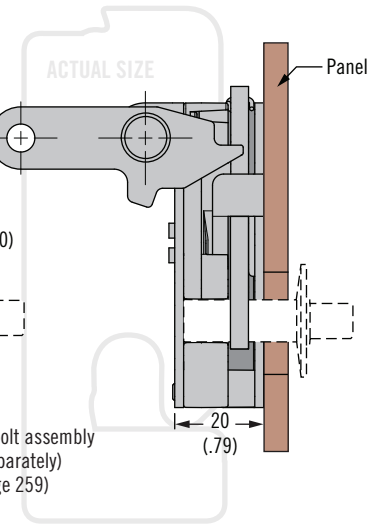
Part Number Selection

Single Stage - Perpendicular (left hand actuation shown)

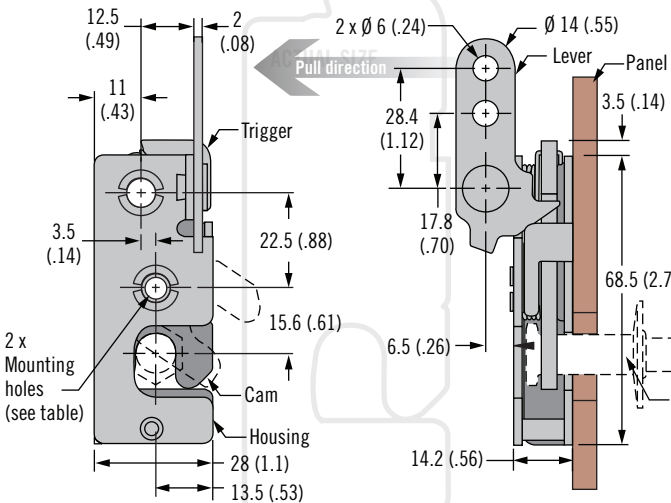


Integrated Bumper Version (dimensions same as standard version except as shown)

(dimensions same as standard version except as shown)

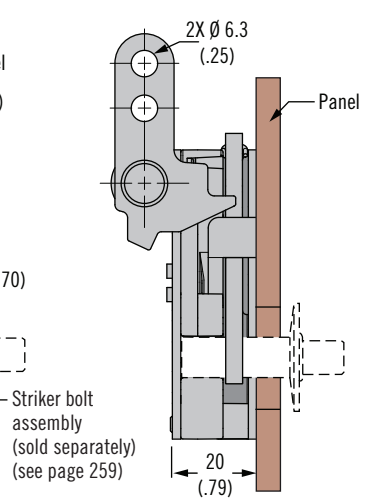


Single Stage - In-Line (left hand actuation shown)



Integrated Bumper Version (dimensions same as standard version except as shown)

(dimensions same as standard version except as shown)



S Stage & Actuation

- 1 Single stage, right hand
- 2 Single stage, left hand
- 3 Two stage, right hand
- 4 Two stage, left hand

L Lever Type

- 1 Perpendicular
- 2 In-Line

R4 - 10 - S I - L O B - M

I Mounting Style

- 0 Ø7.2 (.283) thru
- 1 1/4-20 thread
- 2 M6 x 1 thread

B Base Style

- 1 Standard
- 5 Integrated bumper version

M Material

- 10 Steel
- 20 Stainless steel

Other options available. For complete details on variety, part numbers, installation and specification, go to



www.southco.com/R4

Dimensions in millimeters (inch) unless otherwise stated