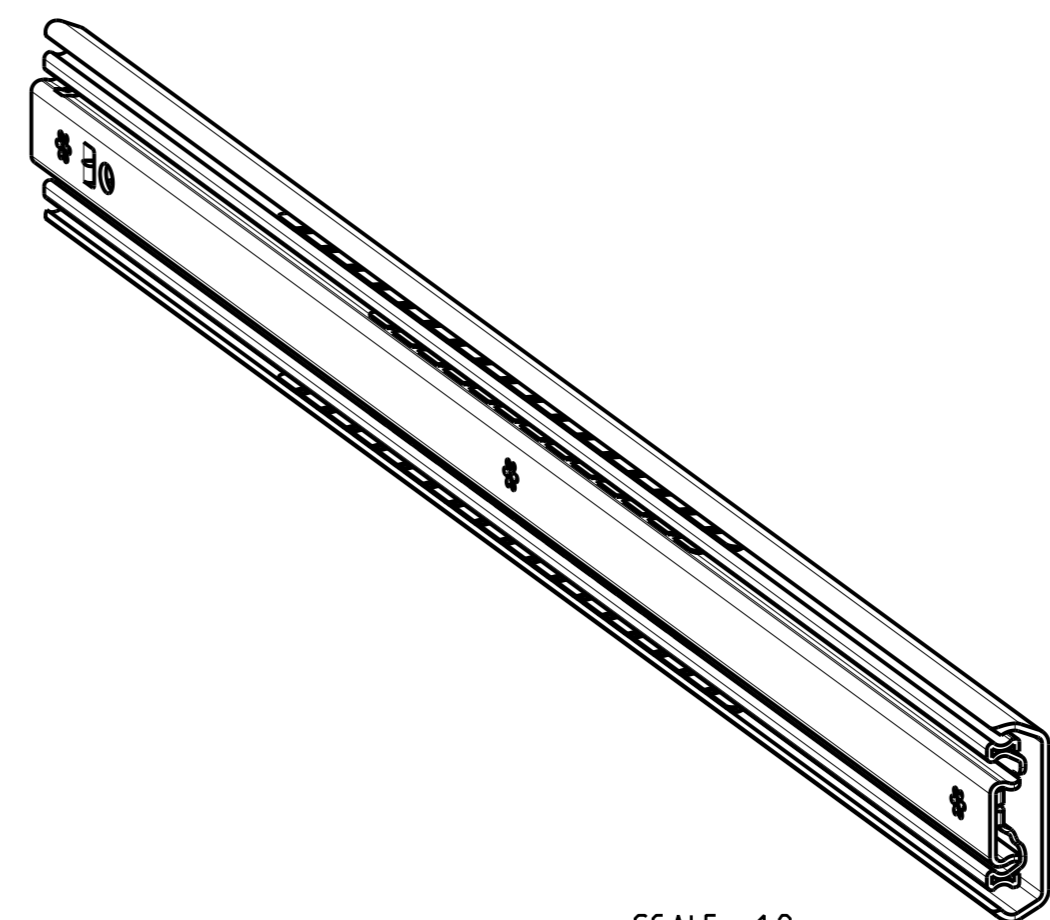
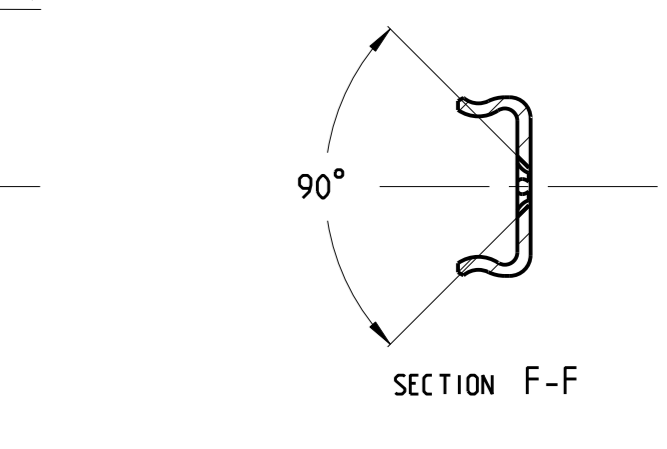
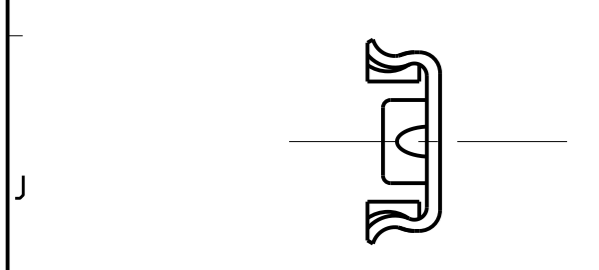
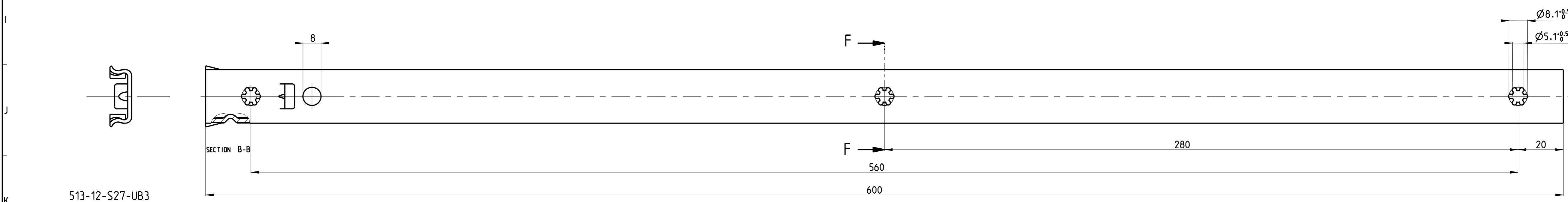
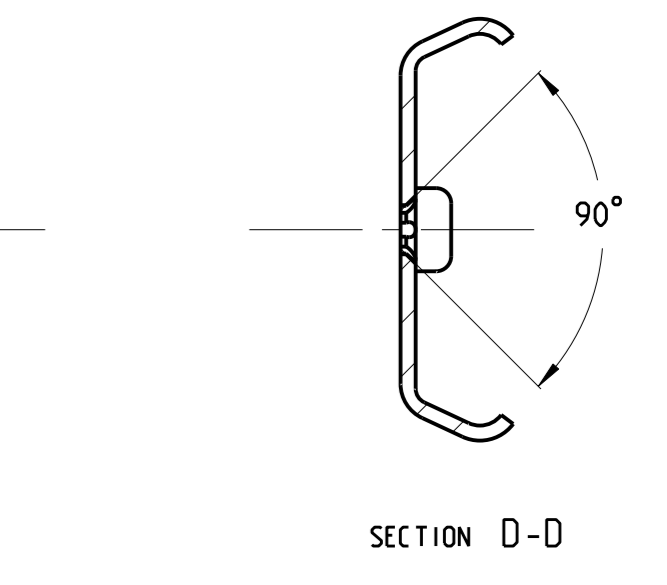
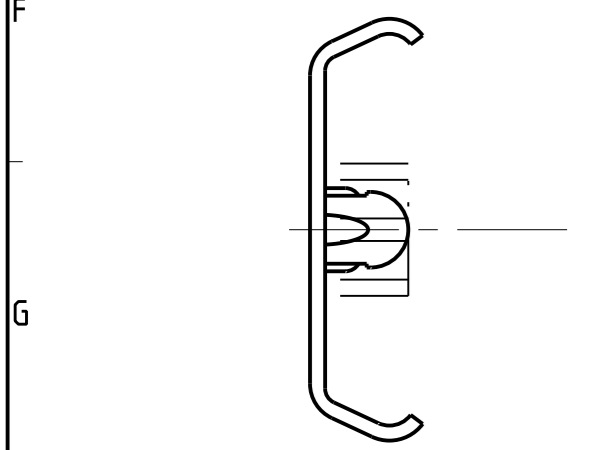
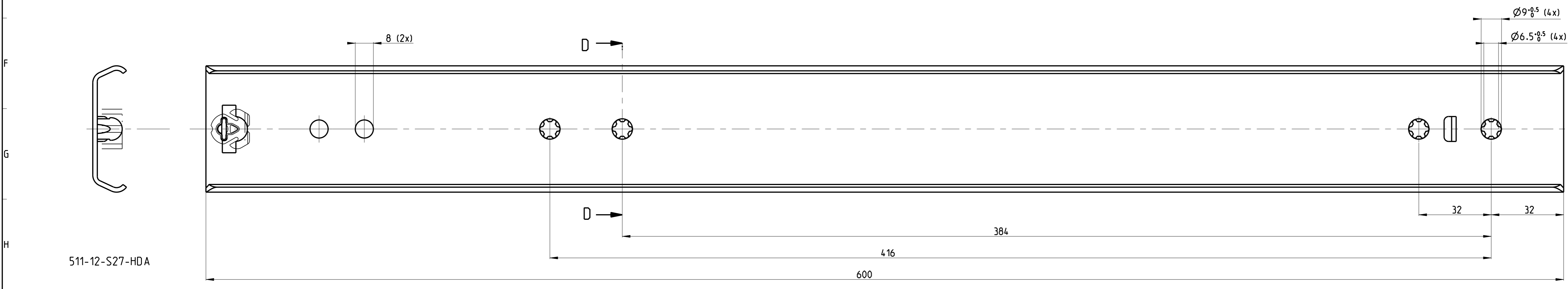
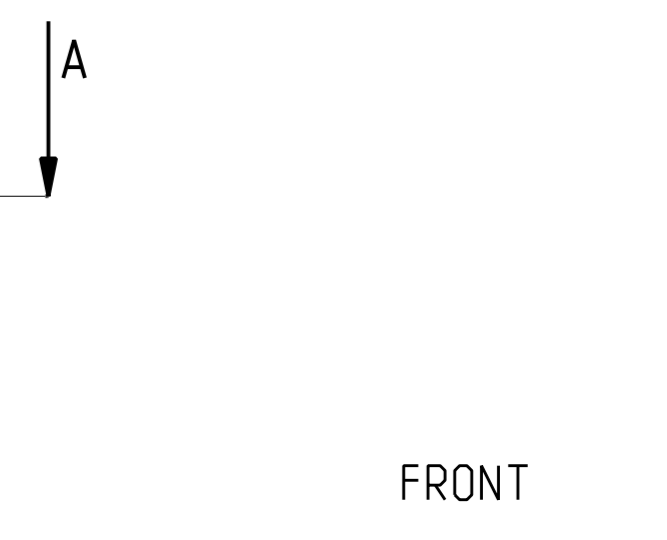
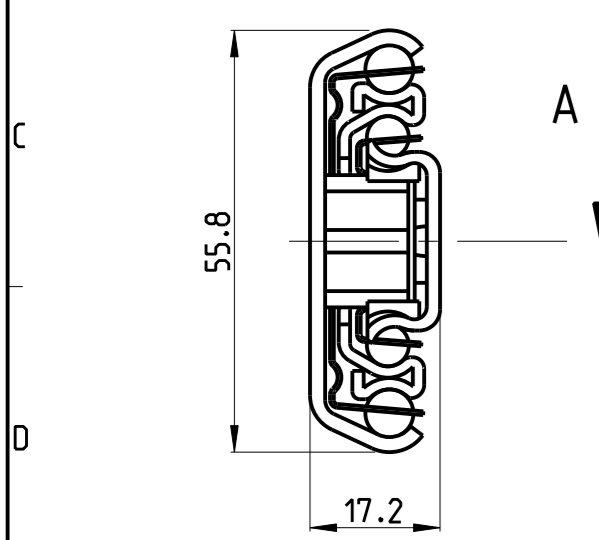
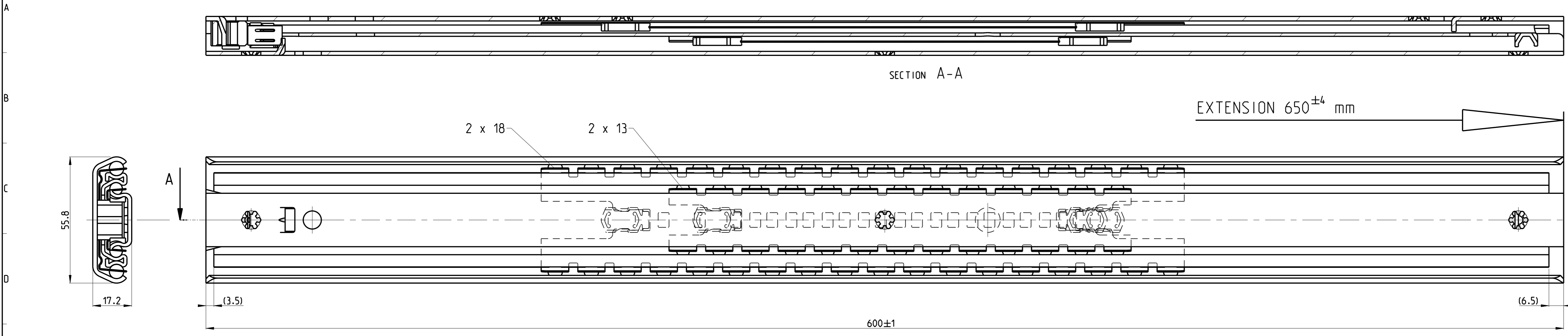


1 2 3 4 5 6 7 8 9 10 11 12 13 14 15 16 17 18 19 20

T 1-2 = 289.5
T 2-3 = 360.5



SCALE 1:2

PRO/ENGINEER Drawing		Dimensions between marks are guide dimensions. Tolerances unless otherwise stated ±0.5mm.		Thomas Regout Int. B.V. reserves the right to alter non-customer specific specifications without notice.	
Was: - 112-F61-00					
American projection	DIMENSION	mm	MAT.: -	REM.: Right hand slide = left hand slide.	
	SCALE	1:1			
	DATE	16-08-2011			
	DESIGNER	M. Mahieu			
	CHECKED	-	Type D		
ULF HD 600,0 / 650,0 (17,2mm)					
THOMAS REGOUT INTERNATIONAL BV				Drw. Nr.	Format.
© Thomas Regout International BV All rights are reserved.				112-S27 _ 00	A1
				Production	

04	-	-	-	-	05	-	-	-	-	06	-	-	-	-
01	-	-	-	-	02	-	-	-	-	03	-	-	-	-