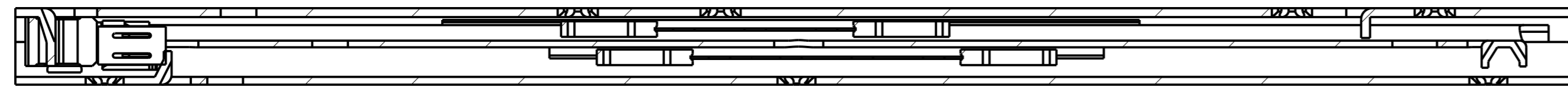
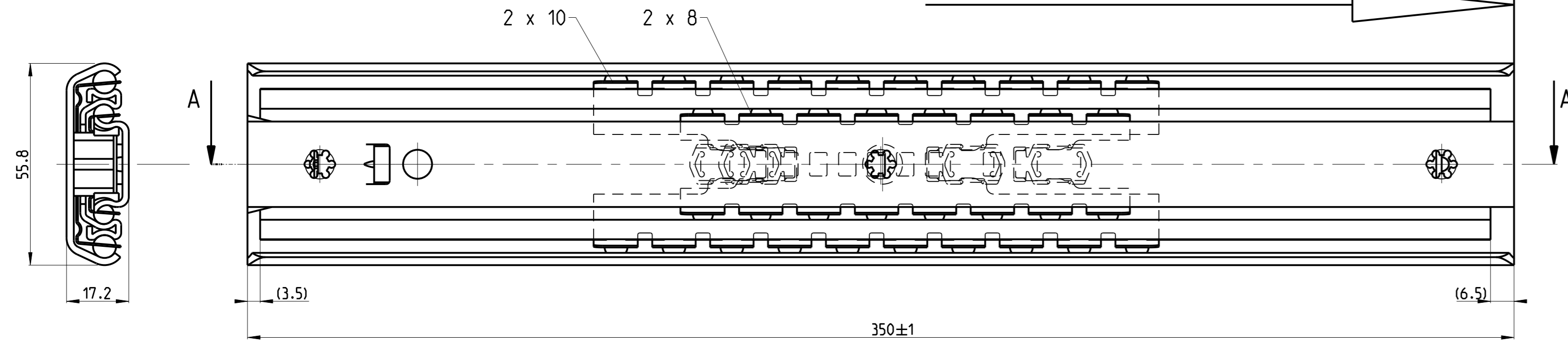


T 1-2 = 184.5  
T 2-3 = 190.5

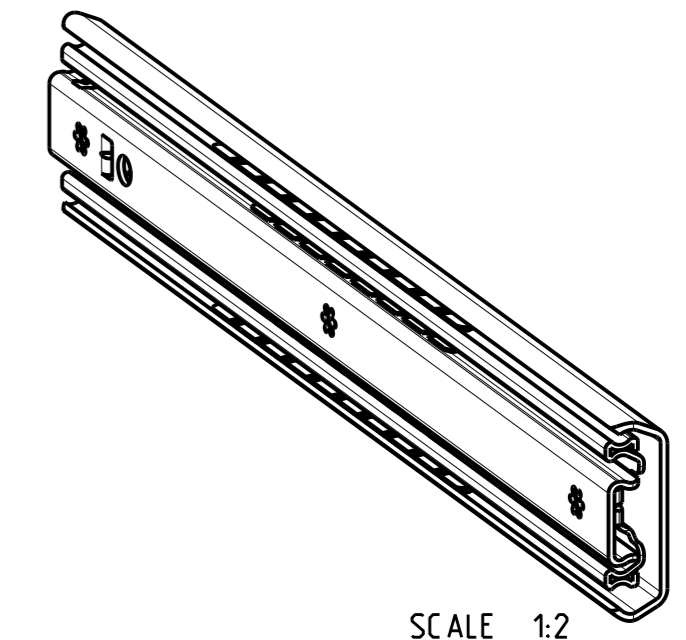


SECTION A-A

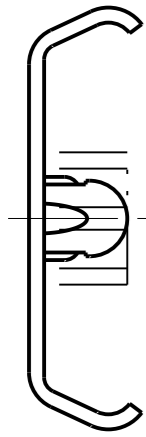
EXTENSION 375<sup>±4</sup> mm



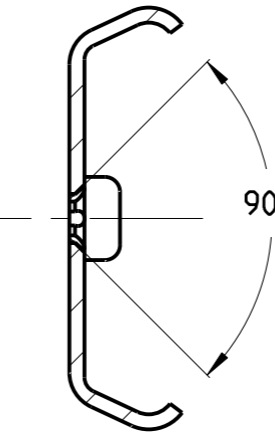
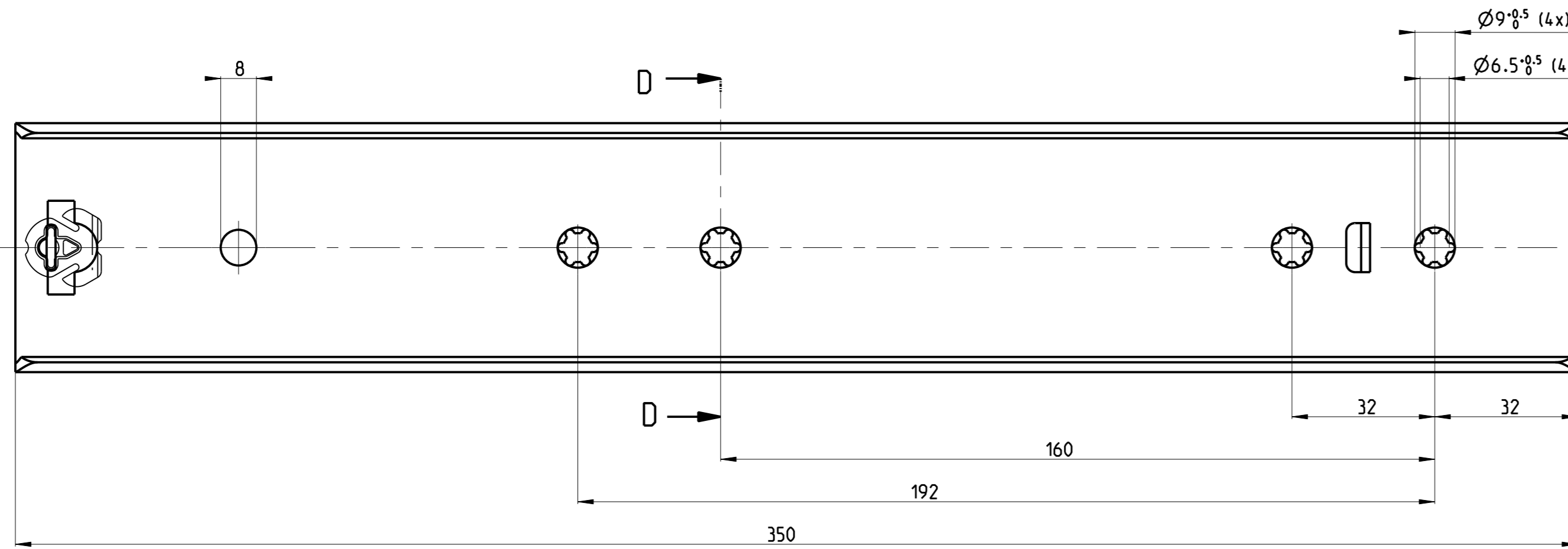
FRONT



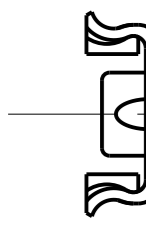
SCALE 1:2



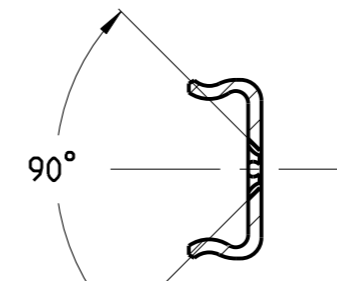
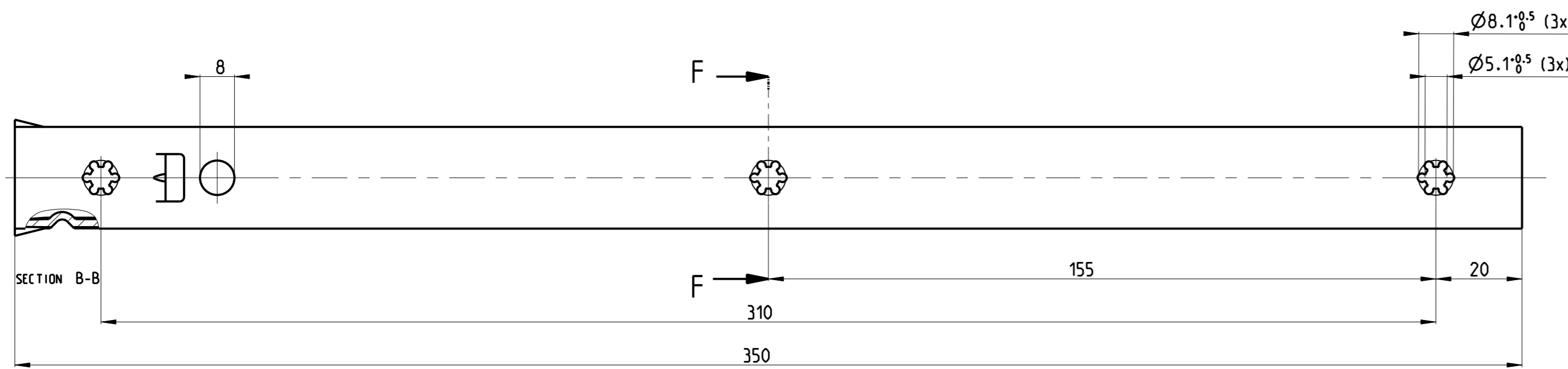
511-12-S22-HDA



SECTION D-D



513-12-S22-UB3



SECTION F-F

PRO/ENGINEER Drawing	Dimensions between marks are guide dimensions. Tolerances unless otherwise stated ±0.5mm.		Thomas Regout Int. B.V. reserves the right to alter non-customer specific specifications without notice.
Was: - 112-F56-00	DIMENSION	mm	MAT.: -
American projection	SCALE	1:1	REM.: Right hand slide = left hand slide.
DATE	11-08-2011		
DESIGNER	M. Mahieu		
CHECKED	-		Type D

ULF HD 350,0 / 375,0 (17,2mm)		
	<b>THOMAS REGOUT INTERNATIONAL BV</b>	Drw. Nr. 112-S22 _ 00
© Thomas Regout International BV All rights are reserved.		Format. A1 Production

04	-	-	-	-	05	-	-	-	-	06	-	-	-	-
01	-	-	-	-	02	-	-	-	-	03	-	-	-	-