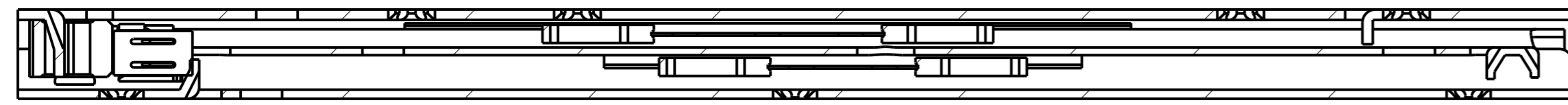
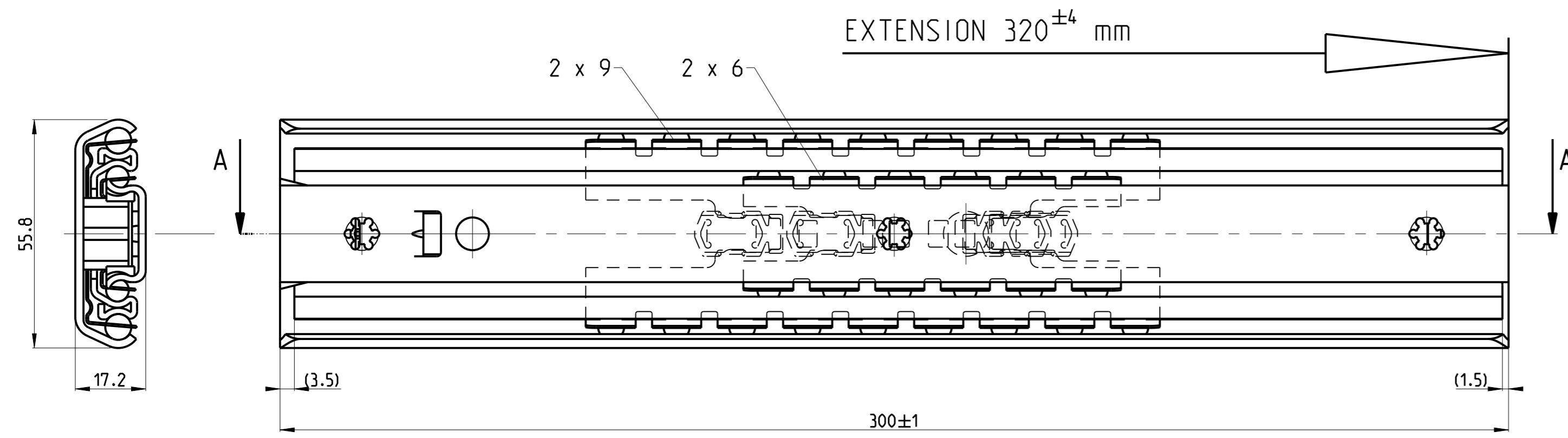


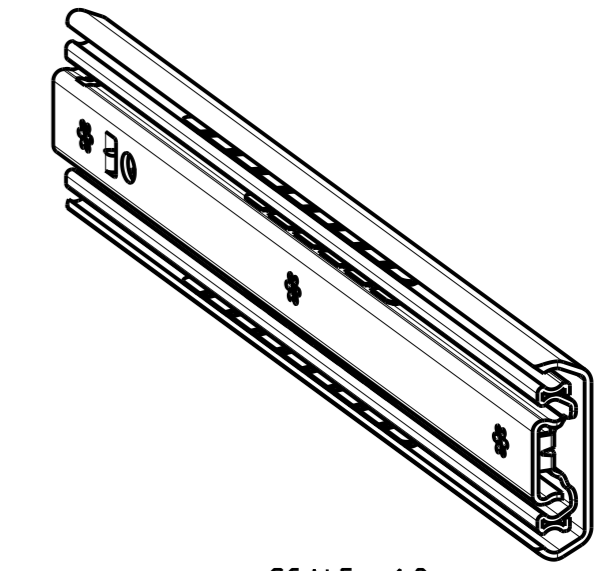
T 1-2 = 142.5
T 2-3 = 177.5



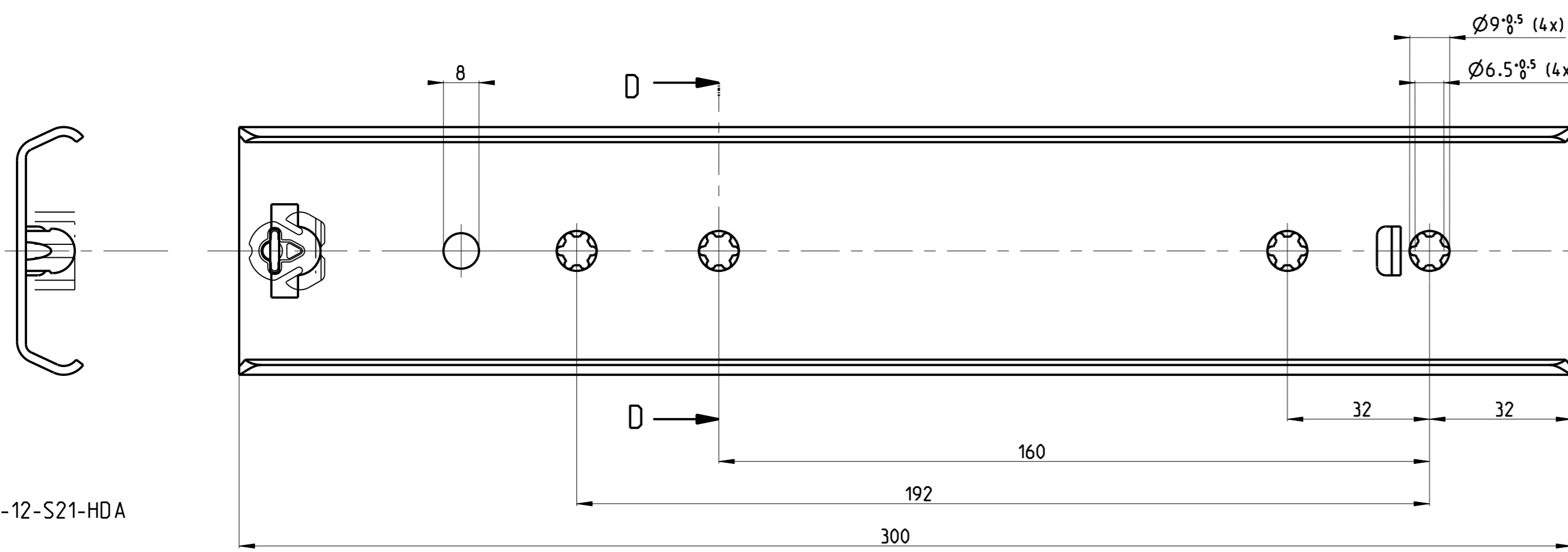
SECTION A-A



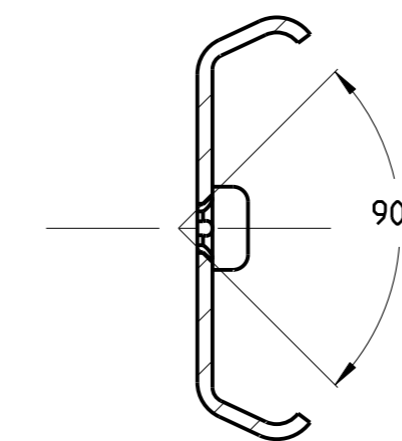
FRONT



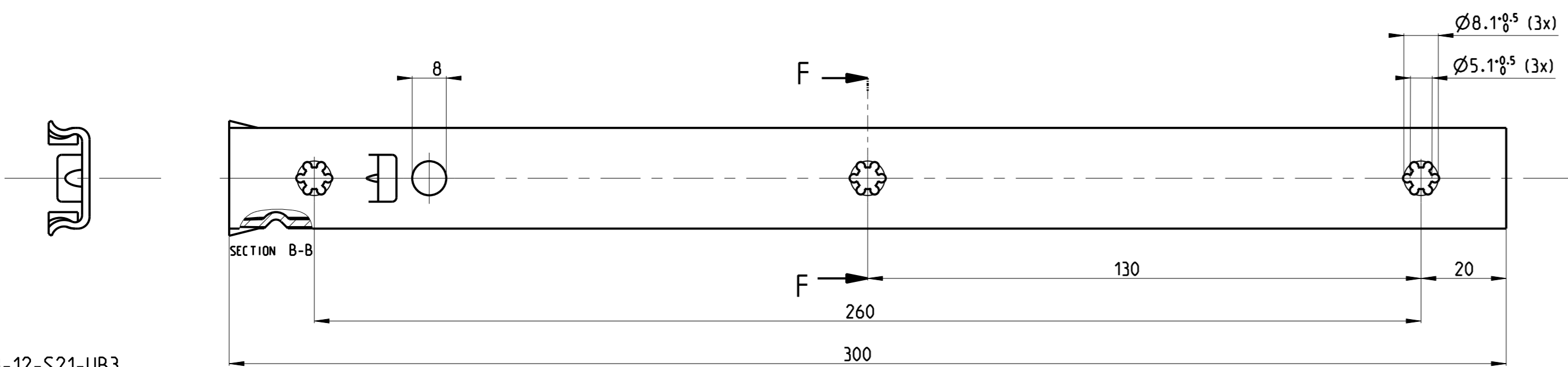
SCALE 1:2



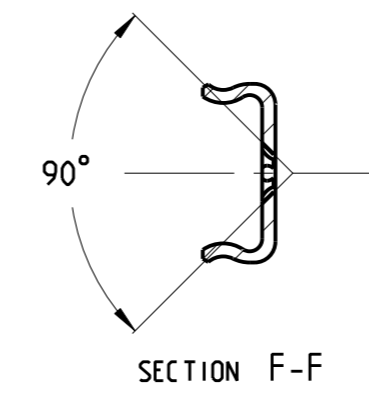
511-12-S21-HDA



SECTION D-D



513-12-S21-UB3



SECTION F-F

| | | | |
|----------------------|---|------------|--|
| PRO/ENGINEER Drawing | Dimensions between marks are guide dimensions. Tolerances unless otherwise stated ±0.5mm. | | Thomas Regout Int. B.V. reserves the right to alter non-customer specific specifications without notice. |
| Was: - 112-F55-00 | | | |
| American projection | DIMENSION | mm | MAT.: - |
| | SCALE | 1:1 | REM.: Right hand slide = left hand slide. |
| | DATE | 10-08-2011 | - |
| | DESIGNER | M. Mahieu | - |
| | CHECKED | - | Type D |

| | | |
|--|--------------|---------|
| ULF HD 300,0 / 320,0 (17,2mm) | | |
| THOMAS REGOUT INTERNATIONAL BV | Drw. Nr. | Format. |
| | 112-S21 _ 00 | A1 |
| © Thomas Regout International BV All rights are reserved. Production | | |

| | | | | | | | | | | | | | | |
|----|---|---|---|---|----|---|---|---|---|----|---|---|---|---|
| 04 | - | - | - | - | 05 | - | - | - | - | 06 | - | - | - | - |
| 01 | - | - | - | - | 02 | - | - | - | - | 03 | - | - | - | - |